



# Stephen P. Wales Ltd

The Old Brewery Works, Lr Ellacombe Church Rd,  
Torquay. UK. TQ1 1JH  
Tel: 01803 295430 Fax: 01803 212819  
email: sales@stephenpwailes.co.uk

## The new SGbox for Gas or Electric Meters

A deeper design of box permits the installation of both standard and prepayment meters without the need for any modifications to the door. Another standard feature is the use of a special fire retardant (Class II, BS 476) moulding compound in all our meter boxes.

### APPLICATION

A Surface mounted meter box suitable for either gas or electricity meters. The common design for both services ensures a more aesthetically pleasing installation.

### PRODUCTION PROCESS

Manufactured by hot compression moulding with our own design and range of tooling.

### MATERIAL SPECIFICATION

Weather resistant glass reinforced fire retardant polyester moulding compound (GRP) Class II BS 476.

### QUALITY STANDARD

BS EN ISO 9002

### NEW DESIGN FEATURES

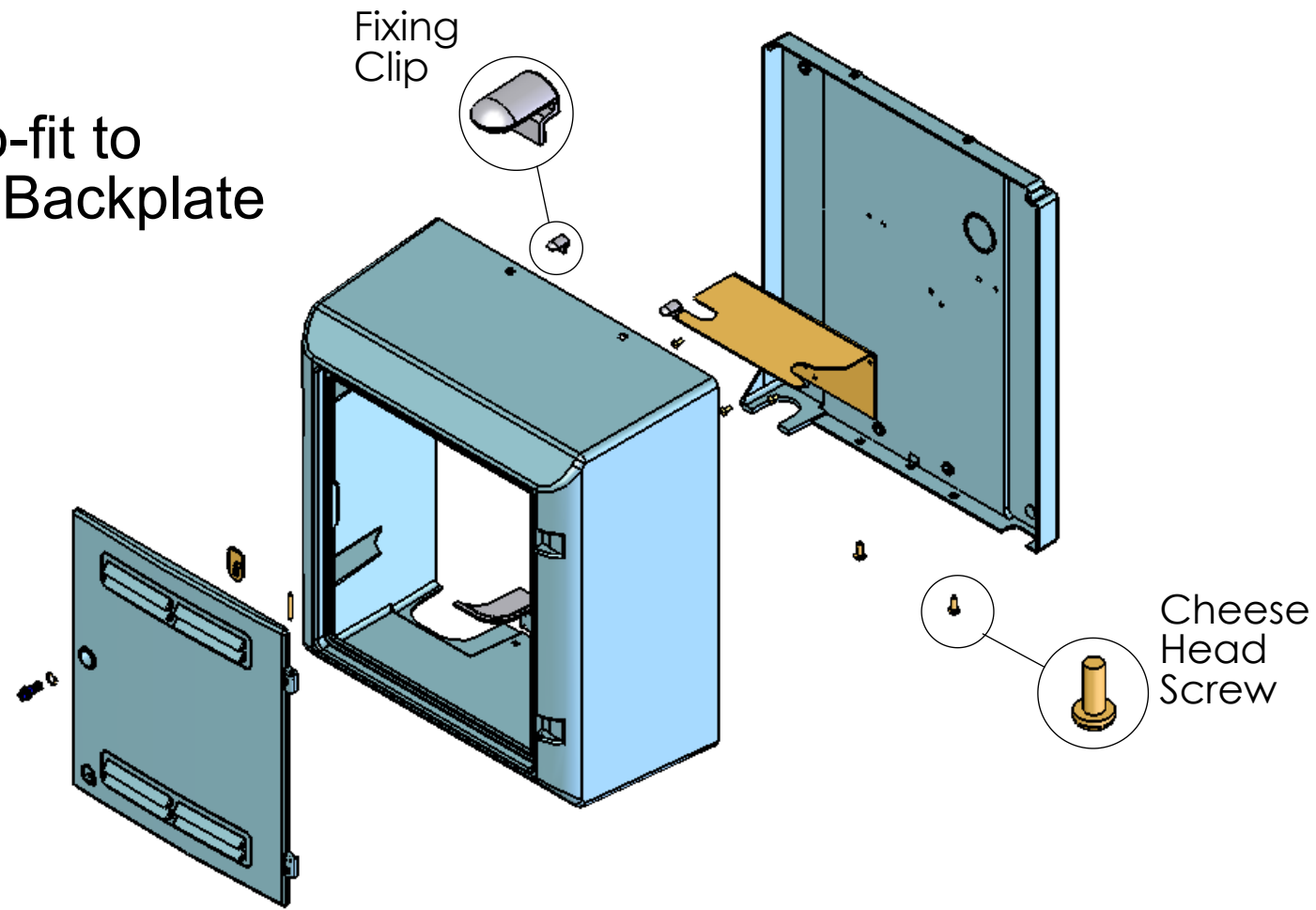
Registered Design No. 2085871.  
Aesthetically designed.  
Gas safety vented door.  
Deep box door architrave design.  
Superior impact load and weather resistance.  
Plain and customised doors.  
Corporate Logo Badging.  
Box corner stacking.  
Improved hold in wall.  
Medium pressure option.  
Cut out and colour options.  
Box depth will accommodate standard and prepayment meters.  
Multiple positions for knock outs for cable entry.



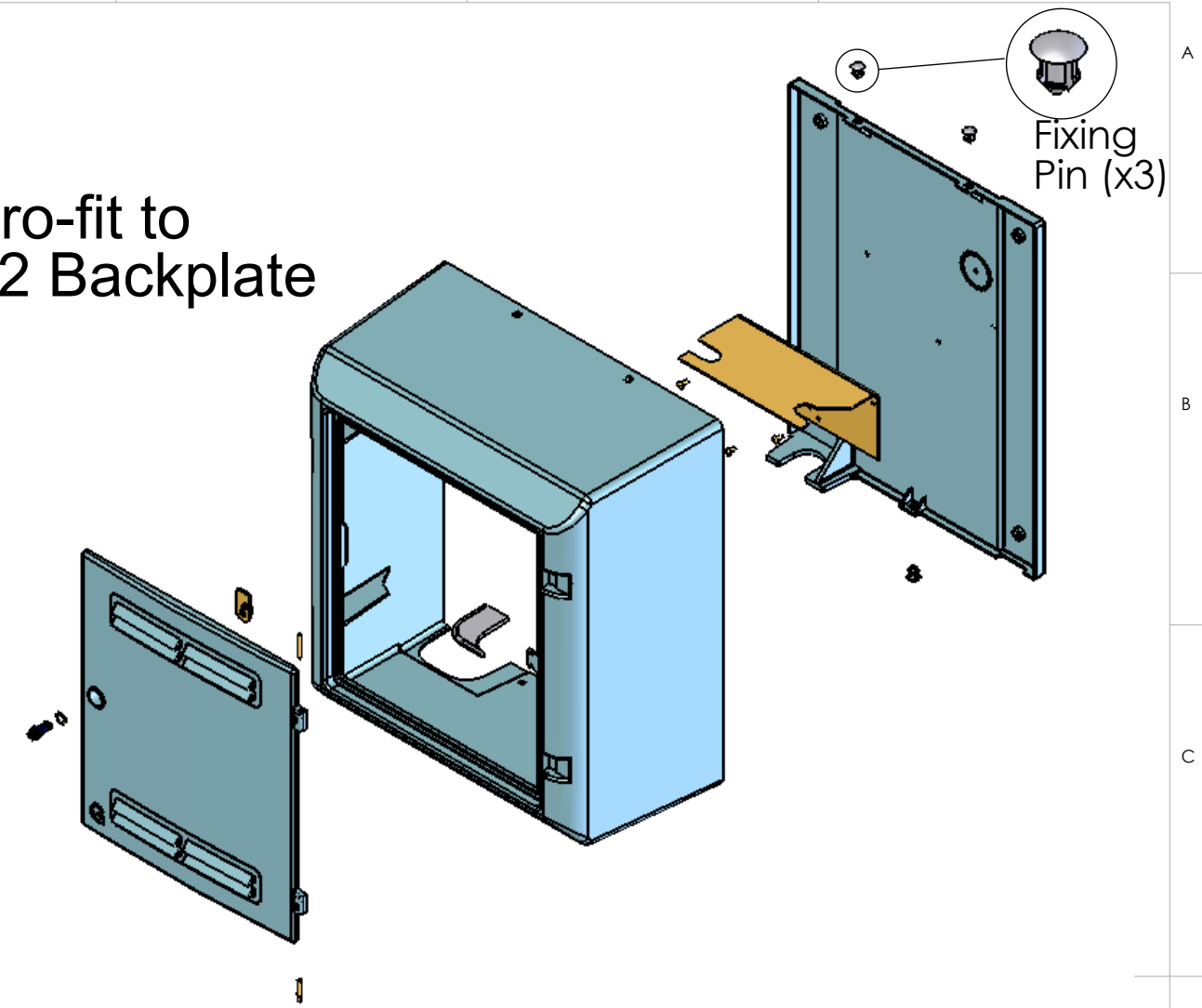
- Detachable front cover for easy installation and replacement of meter. see pdf download
- **\*\*\*\*Replaces your broken front or door. This enclosure is compatible with your Mk1 or Mk2 Backplate\*\*\*\***
- Accepts all front facing, top angled or latest design of prepayment meters
- Choice of inlet and outlet connections
- Improved safety connection through the box
- Low pressure, medium pressure and LPG options
- Reduced pipework using British Standard fittings
- Fire retardant (BS 476, Part 7, 1997, class 2)
- Superior impact load and weather resistance
- **Size 490mm x 440mm x 240mm (H x W x D)**

These gas and electricity meter boxes are manufactured to the quality standards synonymous with our name. Our new deeper design of box permits the installation of both standard and prepayment meters without the need for any modifications to the door. Another standard feature is the use of a special fire retardant (Class II, BS 476) moulding compound in all of our meter boxes.

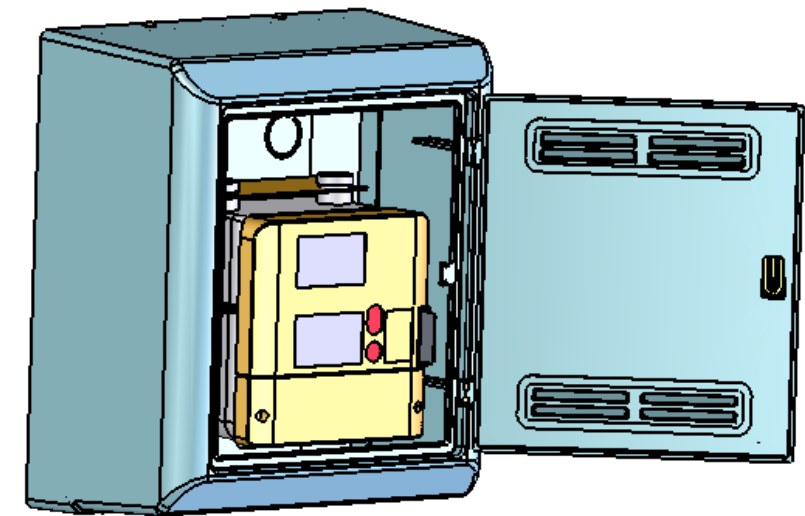
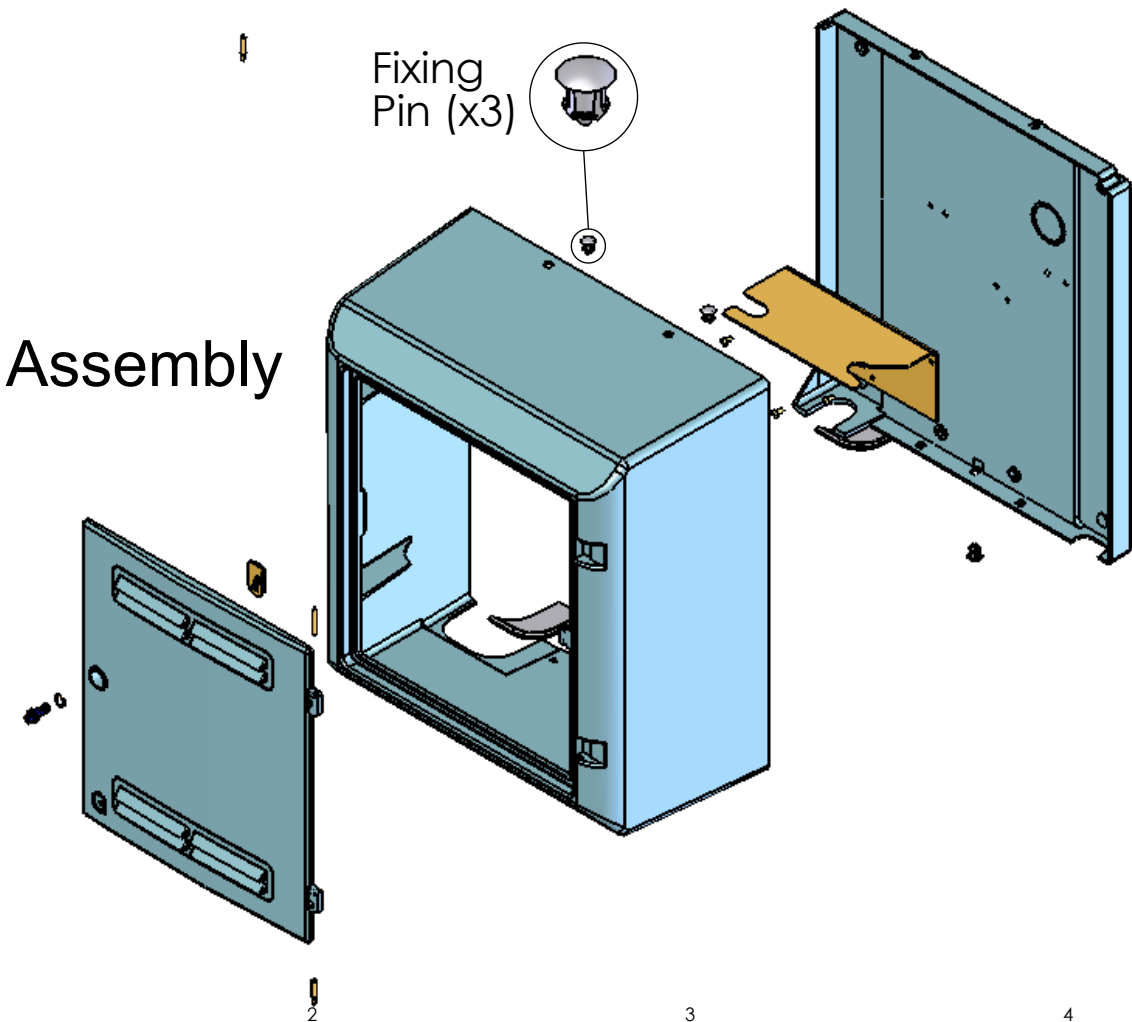
## Retro-fit to MK1 Backplate



## Retro-fit to MK2 Backplate



## MK3 Assembly



MK3 STANDARD DESIGN BENEFITS.  
 SUITABLE FOR ALL METERS INCLUDING ETM  
 PREPAYMENT METER  
 NO NEED FOR PREGNANT DOORS ON MK1 RETRO-FIT  
 MK3 FRONT COVER & DOOR SUITABLE FOR  
 REPLACEMENT ONTO MK1 & MK2 BACKPLATES  
 SPARE FIXING PINS FOR SIDE FIXING TO MK1 BACKPLATE  
 PRS8 COMPLIANT  
 BRITISH STANDARD BS6400-1:-2:-3: