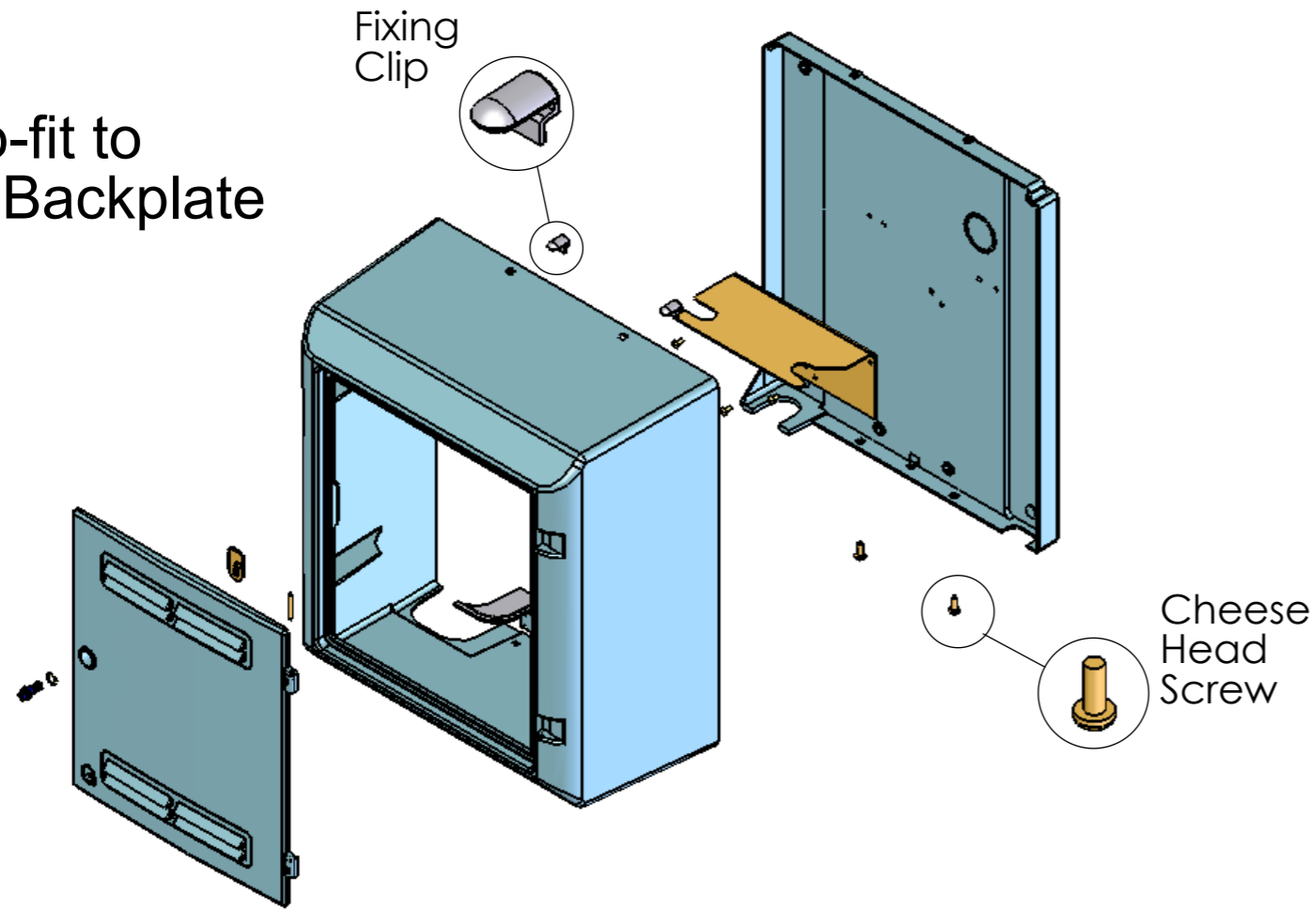
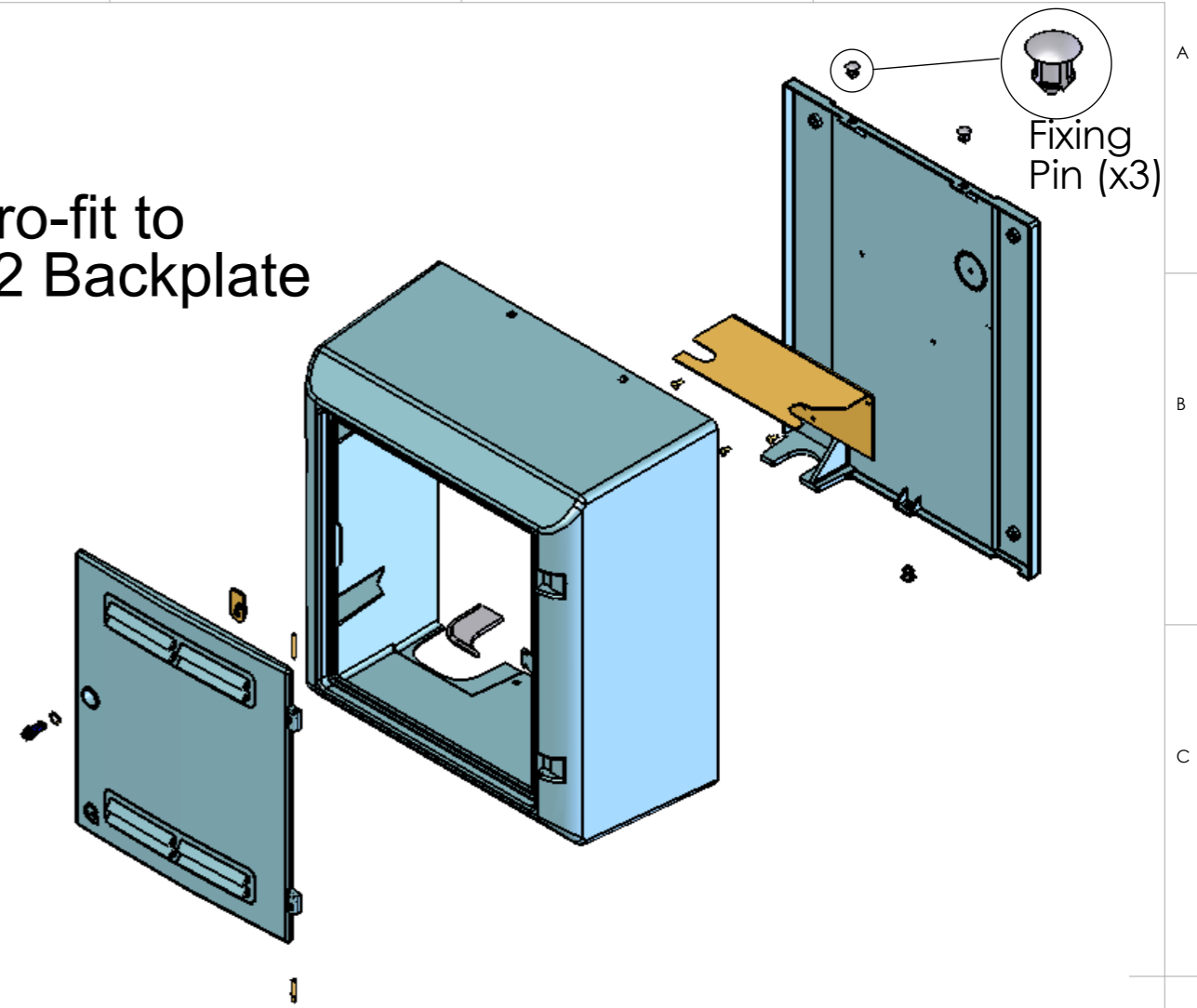


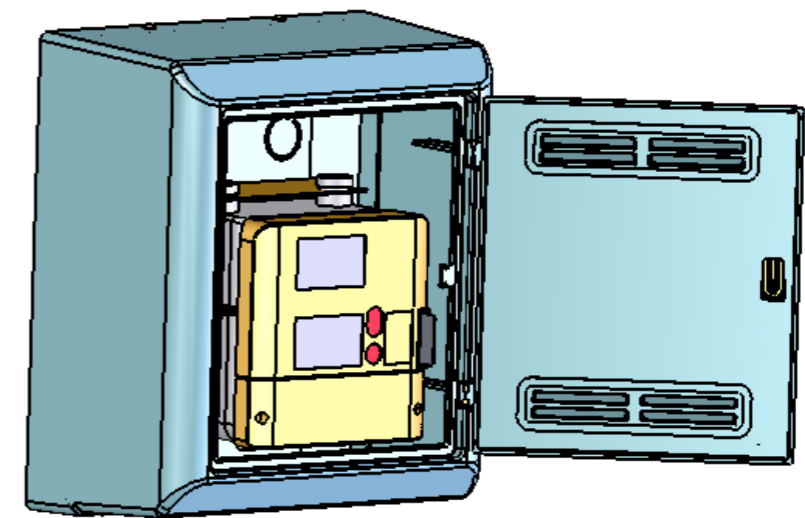
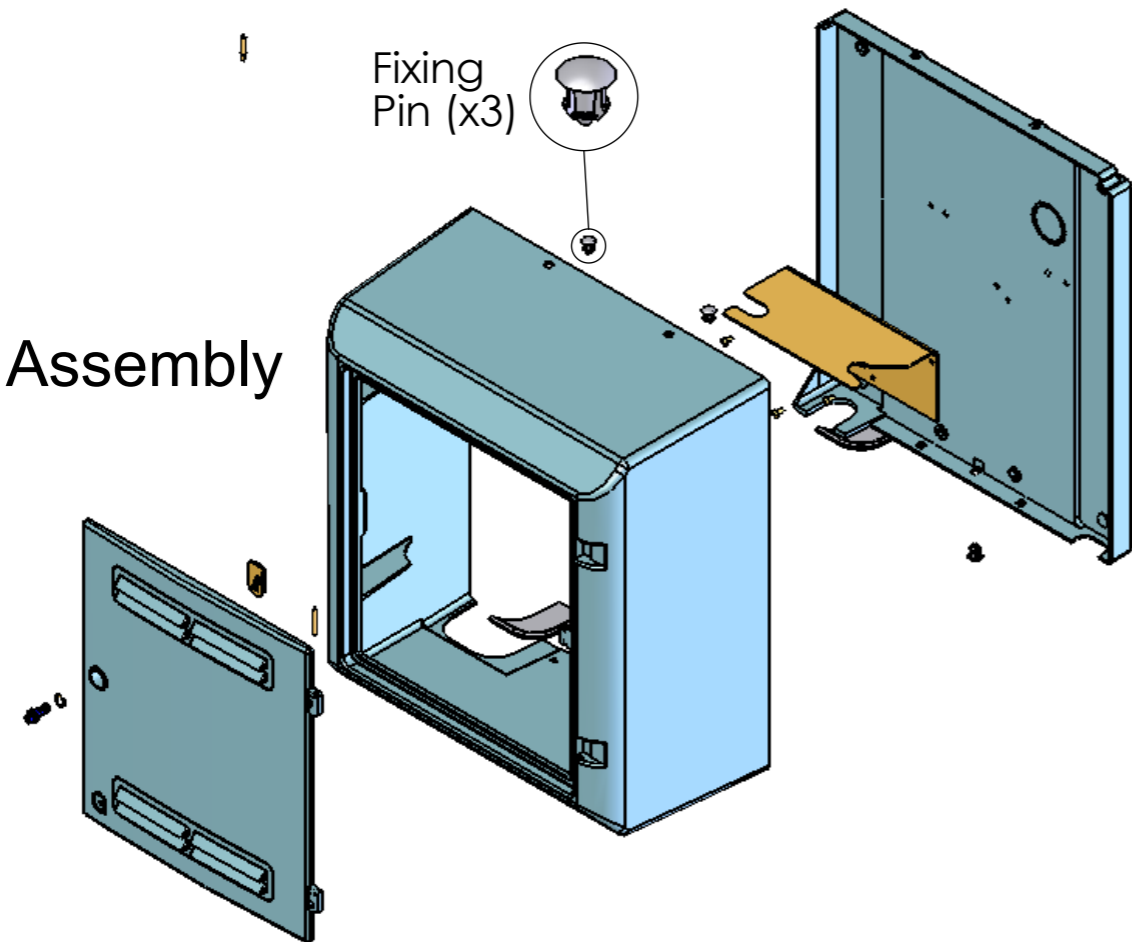
Retro-fit to MK1 Backplate



Retro-fit to MK2 Backplate



MK3 Assembly



MK3 STANDARD DESIGN BENEFITS.
 SUITABLE FOR ALL METERS INCLUDING ETM
 PREPAYMENT METER
 NO NEED FOR PREGNANT DOORS ON MK1 RETRO-FIT
 MK3 FRONT COVER & DOOR SUITABLE FOR
 REPLACEMENT ONTO MK1 & MK2 BACKPLATES
 SPARE FIXING PINS FOR SIDE FIXING TO MK1 BACKPLATE
 PRS8 COMPLIANT
 BRITISH STANDARD BS6400-1:-2:-3: