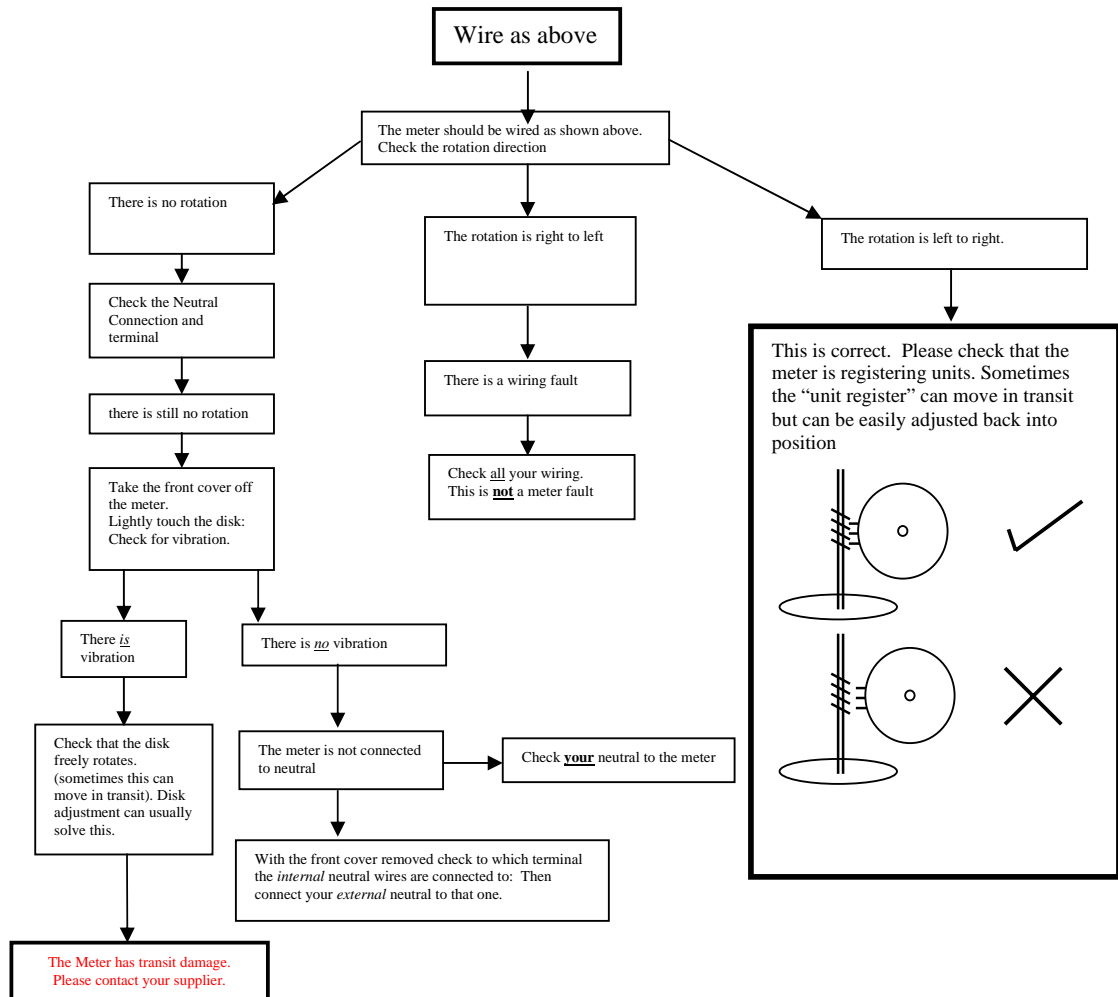
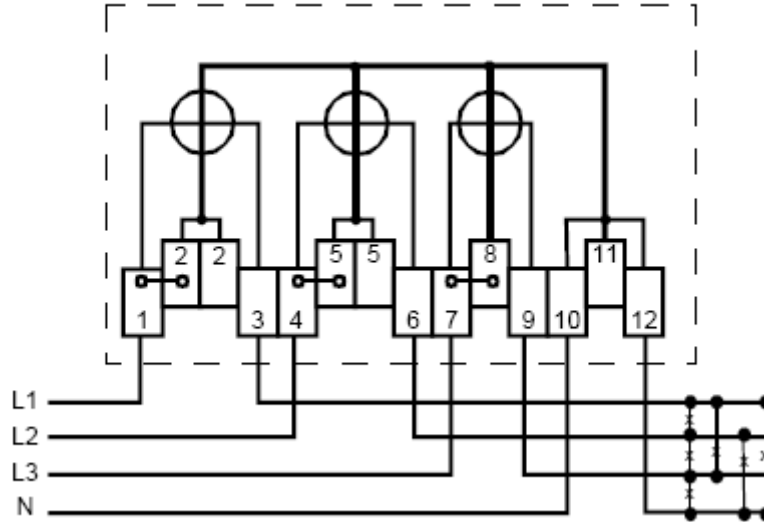


Stephen P. Wales Ltd

The Old Brewery Works, Lr Ellacombe Church Rd,
 Torquay. UK. TQ1 1JH
 Tel: 01803 295430 Fax: 01803 212819
 email: sales@stephenwales.co.uk

WIRING GUIDE FOR THREE-PHASE. 4-WIRE. DIRECT WIRED METER





Stephen P. Wales Ltd

The Old Brewery Works, Lr Ellacombe Church Rd,
 Torquay. UK. TQ1 1JH
 Tel: 01803 295430 Fax: 01803 212819
 email: sales@stephenwales.co.uk

Technical Data: GEC E43B Three Phase 4 wire meter		
	Whole Current	CT Operated
Accuracy	class 2 BS 5685	class 2 BS 5685
Revs/kWh	30	ct dependant
Voltage	230/415v	230/415v
Amperage	40-100amp	100/5, 200/5, 300/5, 400/5, 600/5, 800/5, 1000/5
Pulse	No pulse	No pulse
Maximum Demand	Available on request	Available on request
2-Rate Meters	Available on request	Available on request
kVAh, kVArh	Available on request	Available on request
Rated Voltages	220v (180v-300v)	220v (180v-300v)
Voltage Coil losses		
Power loss	1.0W	1.0W
Burden	5.5VA	5.5VA
Current Coil losses at basic current		
Power loss	0.7W @ 40-100amp	0.3W @ 1-1.2amp
	1.3W @ 80-160amp	0.4W @ 5-6amp
Burden	0.8VA @ 40-100amp	0.6VA @ 1-1.2amp
	1.4VA @ 80-160amp	0.7VA @ 5.6amp
Nett weights	4.1kg	4.1kg
Dimensions	170 x 201 x 167 (WxHxD)	170 x 201 x 167 (WxHxD)