



STEPHEN P. WALES LTD
 THE OLD BREWERY WORKS
 LOWER ELLACOMBE CHURCH ROAD
 TORQUAY
 TQ1 1JH
 PHONE: 01803 295430 FAX: 01803 212819

Stock Number: EL707

“Comprehensive Multi-function meter with backlit display and open circuit protection with unique Current Transformer shorting plug”

The elite 707025 offers:

- CALMU™ technology for reliable and consistent accuracy to IEC 61036 and BS EN 61036, CI 1.05
- Maximum and Rising Demand
- Apparent and Reactive Power and Energy
- Two pulse outputs as standard
- “Favourites” page allows customisation of the meter display sequence
- Diagnostic reporting of connection faults



707025 Functions

Function	EL 707025
Voltage ph-to-ph & ph-to-n	•
Current line and neutral	•
Power kW, kVA, kvar	•
Energy kWh, kVAh, kvarh	•
Power Factor Ave. & ph	•
Frequency	•
Max. Demand kW & kVA	•
Rising Demand kW & kVA	•
Time & Date (MD & Rates)	•
Max. & Min. Volts	•
Max. Amps, kW	•
Min. P.F. & Freq.	•
Export kWh & kvarh	
Rate/Billing Registers (8 each)	
Favourites Page	•
Diagnostics	•
Meter set-up details	•
kWh & kVAh pulse outputs	•
Analogue (4 off 4-20mA)	
RS485 MODBUS	
Logging (3 off pulse inputs)	
Extra pulse outputs (2 off)	

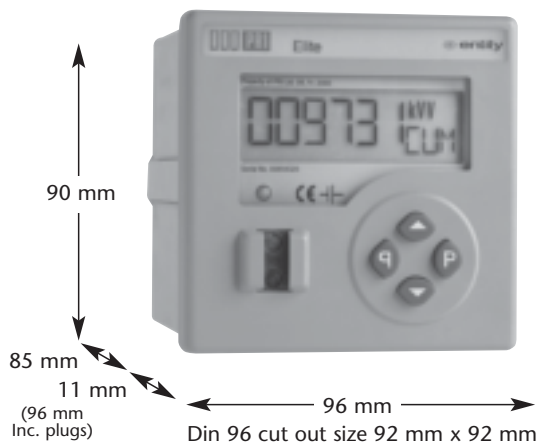
elite technical specification

Stock Number: **EL707**

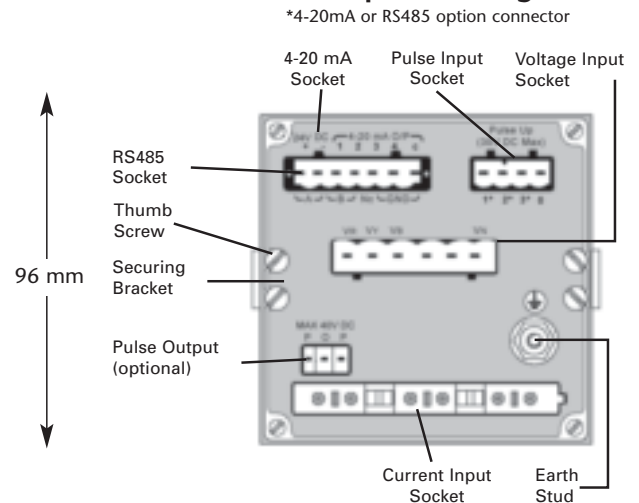
Elite Technical Specification

ELECTRICAL	110 V	230 V	400 V	VOLTAGES (typical)	110 V	230 V	400 V
	3 Phase 3 Wire	3 Phase 4 Wire	3 Phase 3 Wire	Minimum (AC)	77 V	161 V	280 V
				Maximum (AC)	143 V	299 V	520 V
METROLOGICAL	IEC61036:1996, CI 1.0S BSEN61036:1997, CI 1.0S			FREQUENCY	50 Hz/60 Hz		
CURRENT	ALL MODEL TYPES			BURDENS (typical)	ALL MODEL TYPES		
Basic	5 A or 1 A (Factory Set)			Voltage circuit (total)	Less than 2 VA		
Maximum	120% I basic			5 A current circuit	Less than 1.2 VA		
Starting (typical)	0.4% I basic			1 A current circuit	Less than 0.2 VA		
DISPLAY	Backlit Combination LCD			DATA RETENTION	10 years without power		
MECHANICAL	ALL MODEL TYPES			PULSED OUTPUTS	Solid state (norm. open)		
Dimensions (mm)	W.96 x H.96 x D.96			Voltage Rating	40V DC		
Enclosure Material	Extruded Aluminium			Current Rating	100mA DC max		
Flame Retardation	UL 94 V0			Duration	80 ms, 240 ms		
Protection	IP53 (on front panel)			Value	x0.1, x1, x10, x100		
Weight	0.65 kg (max)						
Max. conductor size	2.5 mm ²						

General arrangement and layout



Elite backplate arrangement



Typical Connection Diagrams

