



Stephen P. Wales Ltd

The Old Brewery Works, Lr Ellacombe Church Rd,
Torquay. UK. TQ1 1JH
Tel: 01803 295430 Fax: 01803 212819
email: sales@stephenpwales.co.uk

TPNsprint

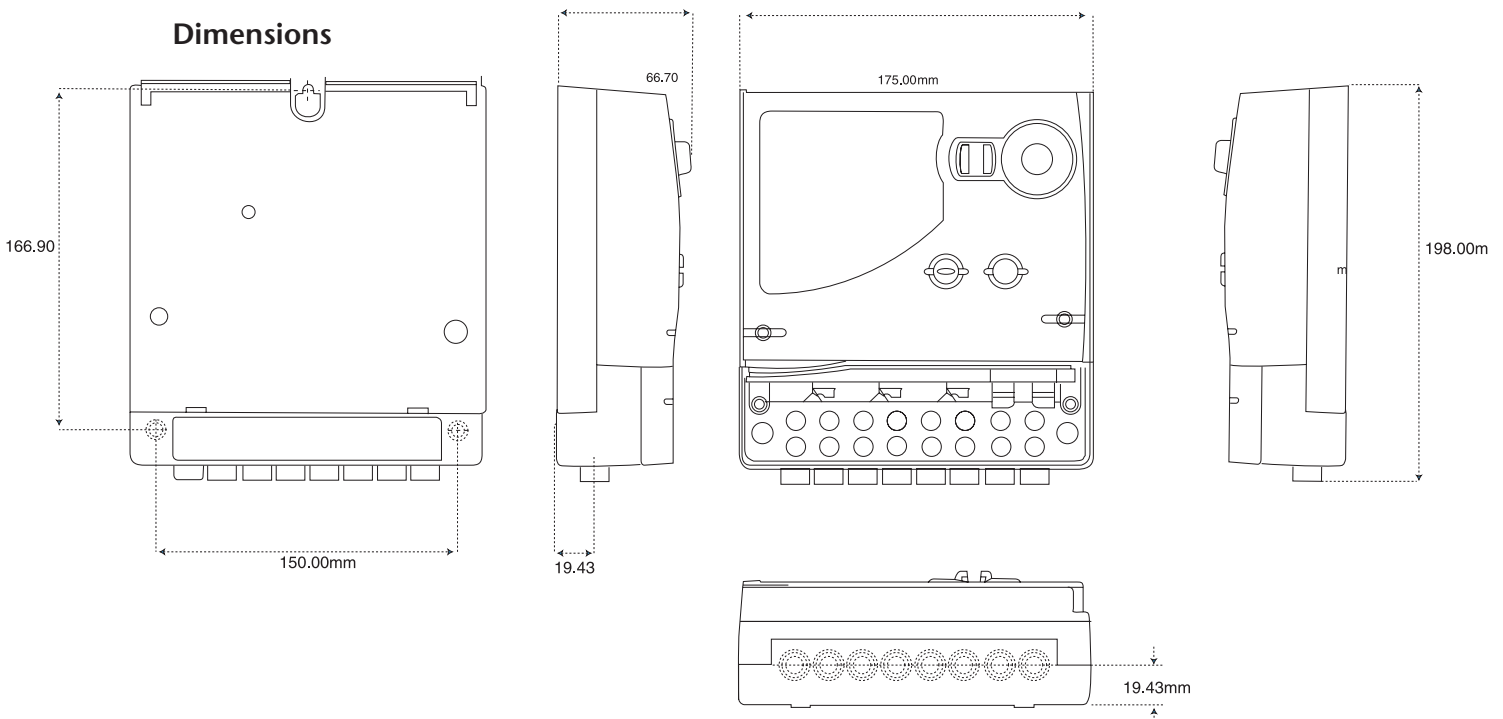
100amp 3phase Multi-Function Meter Ofgem Approved

The **Sprint** offers:

- Full four quadrant metering
- 5 main energy registers
- 8 time of use energy registers, user configurable for all 5 energy types
- 4 maximum demand registers, user configurable for all 5 energy types
- Maximum demand integration periods of 5, 15, 30 and 60 minutes
- 1 output and 1 input (Build option)
- 1200 baud IEC1107 compatible communication port
- 9600 baud sealable PACT communication port
- Type approved to IEC1036
- Ofgem approved



Dimensions



sprint technical specification

Sprint Technical Specification

ELECTRICAL	230V/240V Ø-N 3 phase 4 wire	ACTIVITY INDICATOR	High intensity red LED Meter Constant 800 impulses per kWh
CURRENT	Ib 5 20 20 40 40 Imax 65 80 100 100 160 Additional configurations available on request.	ENVIRONMENTAL*	Operating Temperature -10°C to +45°C Storage Temperature -25°C to +70°C Operating Humidity Up to 95% non-condensing * requirements for specific countries, on request
METROLOGICAL	IEC 1036 Cl 1.0s or 2.0s IEC 1268 Cl 2.0s	BURDEN	Current circuit <2.5VA Voltage circuit <2W/10VA
DISPLAY	LCD Image Area 75 x 17mm	TERMINALS	Two screws per cable Suitable for 35mm ² cables (100A) and 50mm ² (optional)
MECHANICAL	Dimensions W.175 X H.250 X D.66.7 mm Enclosure Material ABS/Polycarbonate Degree of Protection IP51 Flame Retardation UL 94 V0 Weight (approx.) 1.15 kg	PULSED OUTPUT (Build option)	Voltage rating 230V AC max @ a typical resistance of 39 Ohms (43 Ohms max) Cable entry 2.5mm ²
FREQUENCY	45-65Hz	PULSED INPUT (Build option)	Voltage rating 230V AC, 24-240V DC max Cable entry 2.5mm ²
DATA RETENTION	10 years minimum		
COMMUNICATIONS	Local Interrogation Port IEC1107 compatible port Remote Interrogation PACT Data transfer rates of up to 9600 baud on the PACT port and 1200 baud on the IEC1107 port Protocol PACT PACTLAN		

Wiring Diagram

