



Stephen P. Wales Ltd

The Old Brewery Works, Lr Ellacombe Church Rd,
 Torquay. UK. TQ1 1JH
 Tel: 01803 295430 Fax: 01803 212819
 email: sales@stephenpwales.co.uk

The PRO 1d meter is a small kWh meter build with the highest quality components. The meter has an LCD Register type and can measure up to 45amp

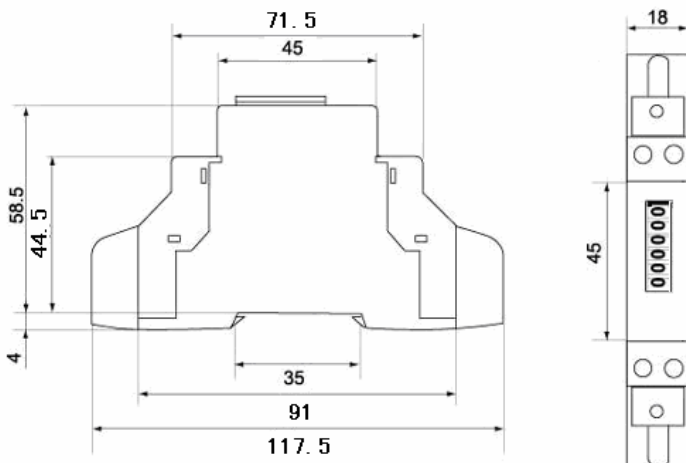
Functions and features

- ✚ DIN rail mounting
- ✚ 7 digit LCD display or 5+1 register
- ✚ SO output
- ✚ Most easy installation
- ✚ High Quality
- ✚ Indoor meter
- ✚ 5 year warranty

Technical specifications

Voltage:	230V AC
Frequency:	50/60Hz ± 10%
Current:	Up to 45A Max
Power consumption:	≤ 2W / 10VA
AC Voltage withstand:	2KV – 1 minute
Impulse voltage withstand:	6KV – 1,2μS waveform
Output:	SO according to DIN43864
Temperature range:	-30°C ~ +50°C
Case:	18 mm DIN Rail
Dimensions:	18 x 117,5 x 58,5mm (w x h x d)
Accuracy Class:	1
Weight	0,12 Kg (net)

Outline dimension



CRN_PRO-1D 45amp

DIN rail one mod single phase energy meter

