



# Stephen P. Wales Ltd

The Old Brewery Works, Lr Ellacombe Church Rd,  
Torquay. UK. TQ1 1JH  
Tel: 01803 295430 Fax: 01803 212819  
email: sales@stephenpwales.co.uk

## TPN\_sprint (MultiFunction 3phase meter)

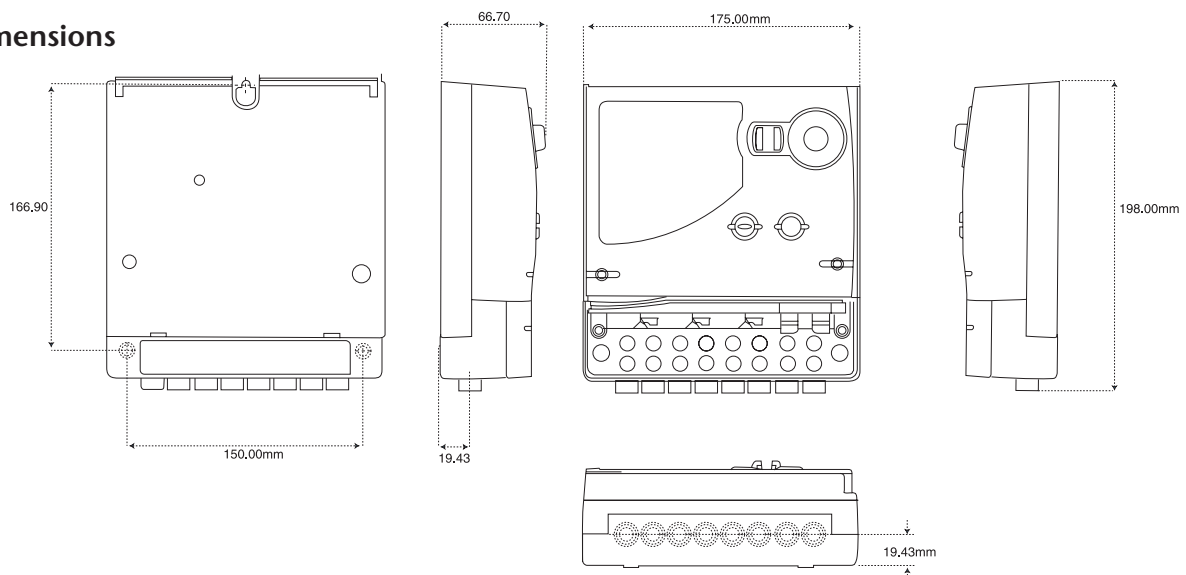


The Sprint offers:

- Full four quadrant metering
- 5 main energy registers
- 8 time of use energy registers, user configurable for all 5 energy types
- 4 maximum demand registers, user configurable for all 5 energy types
- Maximum demand integration periods of 5, 15, 30 and 60 minutes
- 1 output and 1 input (Build option)
- 1200 baud IEC1107 compatible communication port
- 9600 baud sealable PACT communication port
- Type approved to IEC1036
- Ofgem approved



### Dimensions



# sprint technical specification

## Sprint Technical Specification

<b>ELECTRICAL</b>	230V/240V Ø-N 3 phase 4 wire	<b>ACTIVITY INDICATOR</b>	High intensity red LED Meter Constant 800 impulses per kWh
<b>CURRENT</b>	Ib            5    20    20    40    40 Imax        65   80   100   100   160 Additional configurations available on request.	<b>ENVIRONMENTAL*</b>	Operating Temperature    -10°C to +45°C Storage Temperature       -25°C to +70°C Operating Humidity        Up to 95% non-condensing * requirements for specific countries, on request
<b>METROLOGICAL</b>	IEC 1036 Cl 1.0s or 2.0s IEC 1268 Cl 2.0s	<b>BURDEN</b>	Current circuit                <2.5VA Voltage circuit                <2W/10VA
<b>DISPLAY</b>	LCD Image Area                75 x 17mm	<b>TERMINALS</b>	Two screws per cable Suitable for 35mm <sup>2</sup> cables (100A) and 50mm <sup>2</sup> (optional)
<b>MECHANICAL</b>	Dimensions                W.175 X H.250 X D.66.7 mm Enclosure Material        ABS/Polycarbonate Degree of Protection      IP51 Flame Retardation        UL 94 V0 Weight (approx.)         1.15 kg	<b>PULSED OUTPUT (Build option)</b>	Voltage rating 230V AC max @ a typical resistance of 39 Ohms (43 Ohms max) Cable entry 2.5mm <sup>2</sup>
<b>FREQUENCY</b>	45-65Hz	<b>PULSED INPUT (Build option)</b>	Voltage rating 230V AC, 24-240V DC max Cable entry 2.5mm <sup>2</sup>
<b>DATA RETENTION</b>	10 years minimum		
<b>COMMUNICATIONS</b>	Local Interrogation Port IEC1107 compatible port Remote Interrogation    PACT Data transfer rates of up to 9600 baud on the PACT port and 1200 baud on the IEC1107 port Protocol                    PACT PACTLAN		

## Wiring Diagram

